



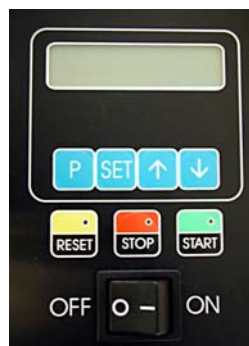
**Feeder for CDs and CD cards, Brochures, Advertising supplements, Catalogues, Sachets, Sample rates, a.o**

### Design and characteristic features:

- Feeding width 85 to 220 mm
- Single or multi product feeding
- Damage-free feeding of CDs and CD cards and similar data carriers
- Operation as stand-alone module or within a machine possible
- Product magazine for loading and monitoring is easily accessible
- Product in upright position, lateral picking position by vacuum suction unit
- Stacking length in the magazine to a maximum of 2000 mm
- Drive actuated via DC motor
- Power supply 230V/ 50 Hz
- Generation of the vacuum by integrated injector
- Missing product detection by vacuum monitoring
- Protective shielding of the gripper arm by protective hood

### Controller:

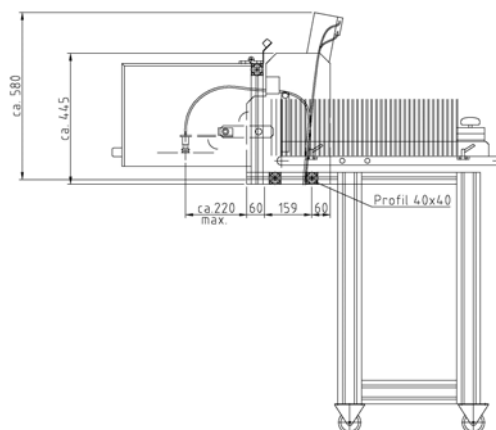
- Microprocessor control
- PLC interface, 15 pins
- Operator guidance and status indication by LC display
- Preselection for piece number with NOM/ACT comparison
- Continuous mode operation selectable
- Function test for self-diagnosis
- Fault message indication by way of signal lamp and display
- Infinitely adjustable feeding speed
- Preselection of the start pulse (high/low)
- Adjustable product stop position
- Follow-up time of the air stream signal adjustable from 0 to 300 ms
- Operator language selectable in German, English or French
- Electric and electronic plug-type connections



# PPWA warehouse feeder Technical Data (Standard configuration)

Formats (special formats possible):	Min. 85 x 55 mm, max. 220 x 220
Feeding performance (continuous mode / indexed), depending on product:	Up to 120 products/min. (indexed)
Product thickness:	Max. 10 mm
Magazine loading (depending on product):	Horizontal/inclined stacking of the products Magazine length L = 700 mm, L = 2000 mm
Drive:	DC motor, infinitely controllable
Control:	Microprocessor control, PLC interface, functions for piece number, fault message etc.
Supply voltage / Power input:	230 V / 50 Hz / 200 VA
Compressed-air connection:	6 bar dry, oil-free air, connection ¼ "
Dimensions (W x D x H) / Weight:	1300 x 700 x 580 mm (standard stack height) / approx. 60 kg, depending on design

## Dimensions for standard model, feeding width 220 mm:



## Options:

Feeding widths:	Special formats possible
Stack magazine adjustment:	Centrally, with adjustment spindle and feeding width indication
Belt drive:	In stacking magazine
Magazine loading	
Start light barrier:	For external start pulse
Base:	Movable and vertically adjustable +/- 50 mm, Movable with spindle adjustment +/-200 mm, Movable with electrically driven height setting, setting range +/- 200 mm